

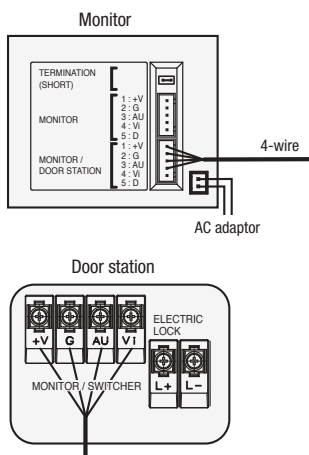


Key Features

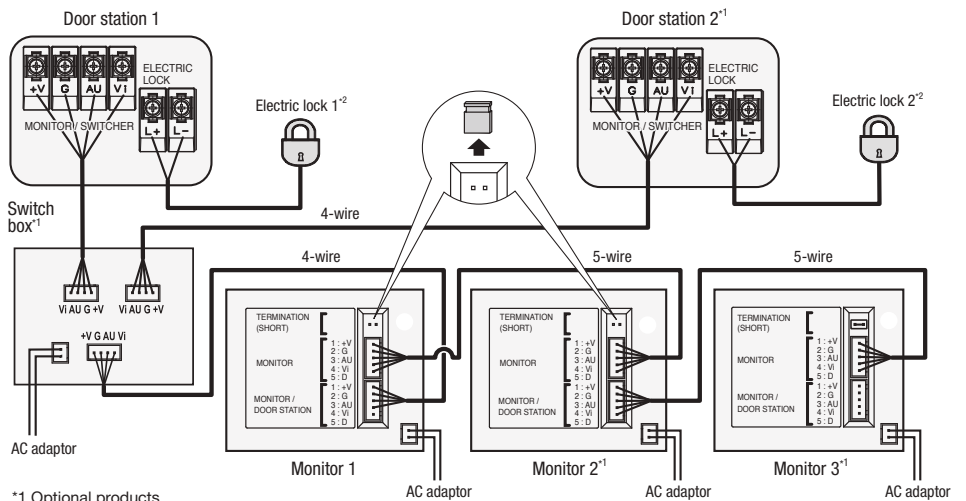
- **7-inch Wide Monitor:** Main monitor lets you clearly identify visitors.
- **Picture Recording Function:** Up to 50 images of visitors can be recorded.
- **Three Monitors Connectable:** A maximum of three main monitor units can be connected.
- **Intercom Call:** If optional monitors are connected to the system, you can use a monitor to call other monitors.
- **Hands-free Talking:** When you receive a call from a door station, you can monitor the visitor on the monitor display and talk hands-free.
- **Electric Lock Release Support (Door Opener):** The door lock can be easily and quickly released even from another room of the house if an additional monitor is connected.

Wiring Schematic Diagram

Basic system



Fully expanded system



*1 Optional products

*2 User supplied.

• Electric lock connection terminal (L+/L-): 12 V DC, less than 1.5 A

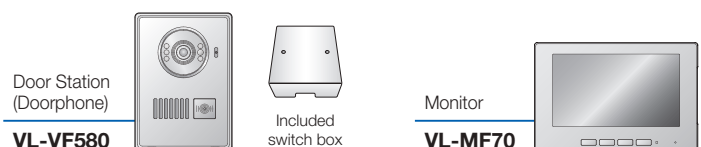
Wire type and length

From - To	Max. distance	Cable standard	Cable type reference
Door station - Monitor	50 m	0.5 mm ²	RWV4 (4-wire)
	100 m	0.75 mm ²	
Electric lock - Door station	5 m	1.0 mm ²	RWV2 (2-wire)
	10 m	1.5 mm ²	
Monitor - Monitor	50 m	0.5 mm ²	RWV6 (6-wire)
	100 m	0.75 mm ²	

Accessory Information

AC adaptor × 1 (PNLV245)
 Mounting bracket × 1
 Wood screws for door station (3.8 mm × 20 mm) × 2
 Wood screws for monitor (4.0 mm × 16 mm) × 2
 5-pin connector × 1
 Hex wrench × 1

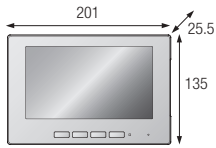
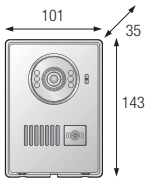
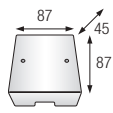
Optional Accessories



Model Composition

VL-SF70	VL-MF70 x 1, VL-VF580 x 1
---------	---------------------------

Specifications

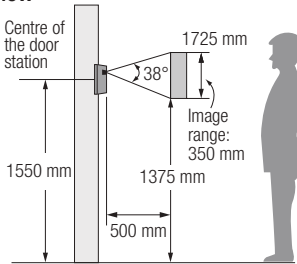
	VL-MF70	VL-VF580	
Model number and name	Monitor	Door Station (Doorphone)	Switch Box
Dimensions	Up to 3 	Up to 2 	 <small>*Included with the optional VL-VF580</small>
Power supply	AC adaptor (PNLV245), 24 V DC, 0.5A	Supplied by the Monitor	AC adaptor (PNLV245), 24 V DC, 0.5A
Power consumption	Standby: Approx. 1.3 W During operation: Approx. 10 W	-	Standby: Approx. 0.5 W During operation: Approx. 1.5 W
Dimensions (H x W x D) (Excluding protruding sections)	Approx. 135 x 201 x 25.5 mm	Approx. 143 x 101 x 35 mm	Approx. 87 x 87 x 45 mm
Weight	Approx. 465 g	Approx. 265 g	Approx. 100 g
Operating environment	Ambient temperature: Approx. 0 °C to +40 °C Relative humidity (non-condensing): from 45 % up to 90 %	Ambient temperature: Approx. -15 °C to +55 °C Relative humidity (non-condensing): up to 90 % (tested up to -20 °C)	Ambient temperature: approx. 0 °C to +40 °C Relative humidity (non-condensing): from 45 % up to 90 %
Display	Approx. 7 inches wide colour display	-	-
Talking method	Hands-free	-	-
Viewing angle	-	Horizontally: Approx. 51° Vertically: Approx. 38°	-
Installation method	Wall mount (Wall mount bracket included)	Wall mount (Mounting base attached)	Wall mount
Minimum illuminance required	-	1 lx (within approx. 50cm from the camera lens)	-
Lighting method	-	White coloured LED lights	-
IP rating/IK rating	-	IP44 ¹	-
External material	Flame retardant ABS resin	Flame retardant ABS resin	Flame retardant ABS resin

¹ Water resistance is only assured if the camera is installed correctly according to the instructions in the Installation Guide, and appropriate water protection measures are taken.

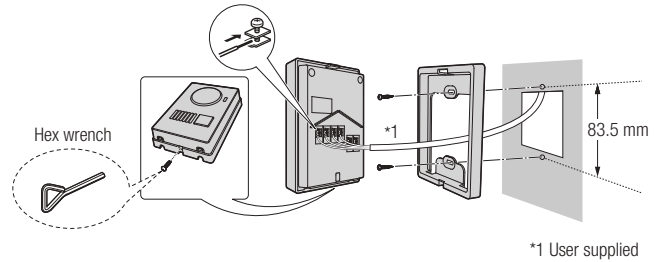
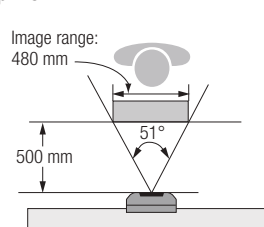
Installing the Doorphone

- Example: Installation height is 1550 mm (standard position).

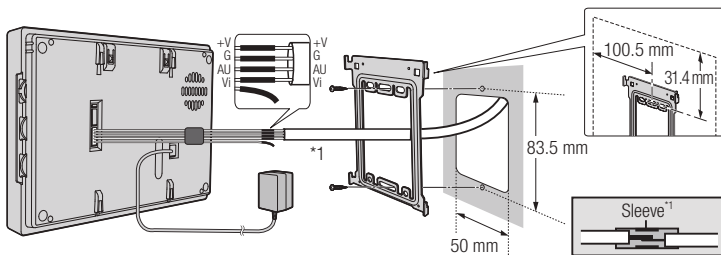
Side view



Top view

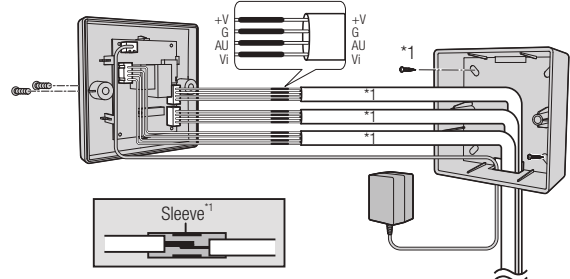


Installing the Monitor



*1 User supplied

Installing the Switch Box (for use with optional door stations)



*1 User supplied

Important

– Safety Precaution: carefully read the operating instructions and installation manual before using this product.

- The actual product may vary slightly from photograph.
- Weights and dimensions are approximate.
- Design and Specifications are subject to change without notice.
- These products may be subject to export control regulations.